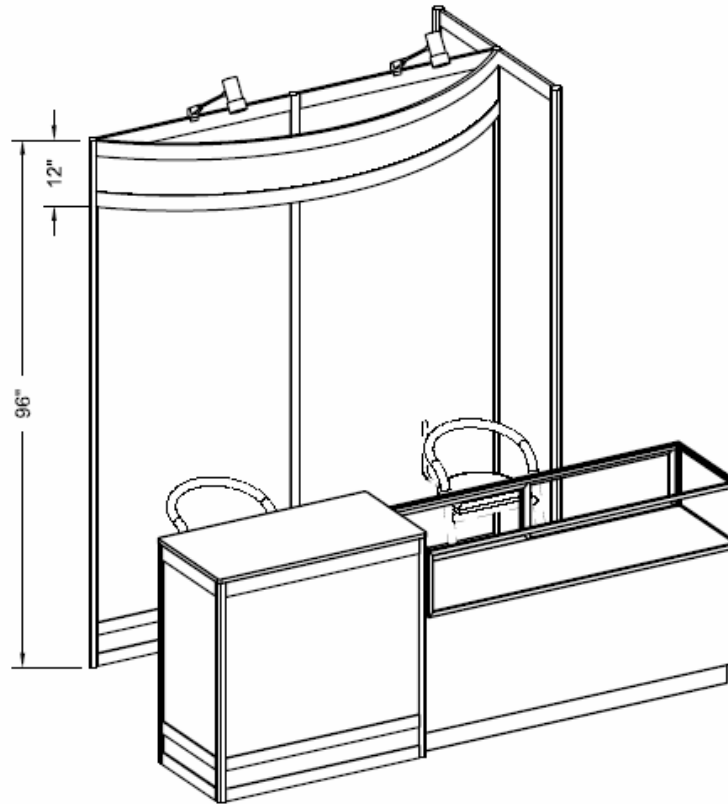


COUTURE

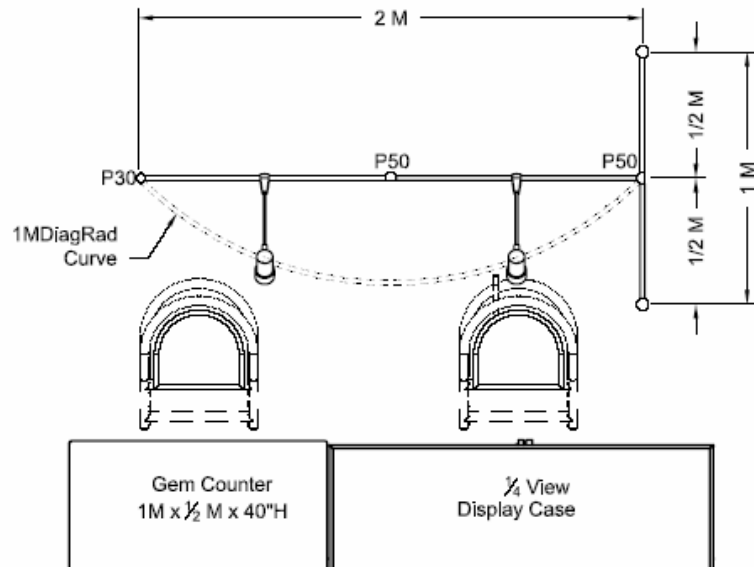
ALL THE NAMES. ONE DESTINATION.

DESIGN ATELIER BOOTH PACKAGE



ISOMETRIC VIEW

SCALE: NTS



PLAN VIEW

SCALE: 1/2"=1'-0"